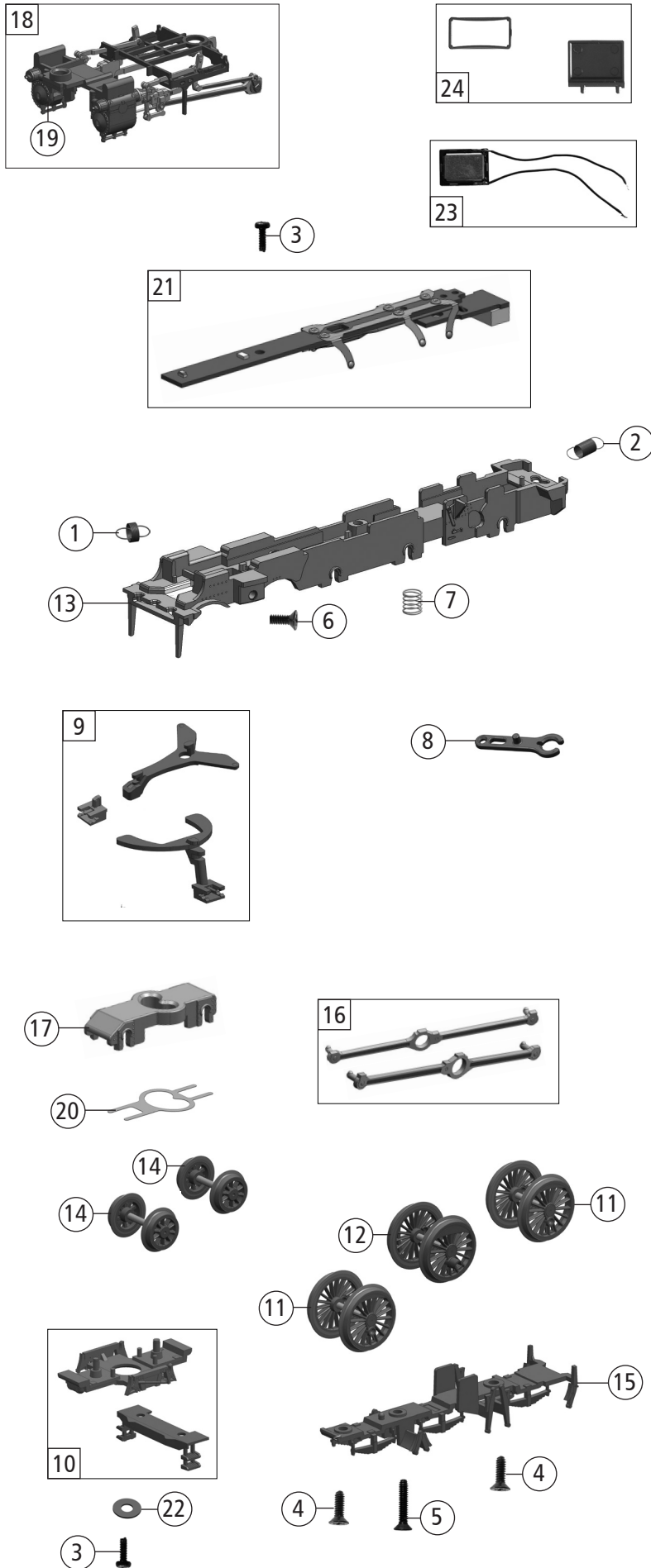
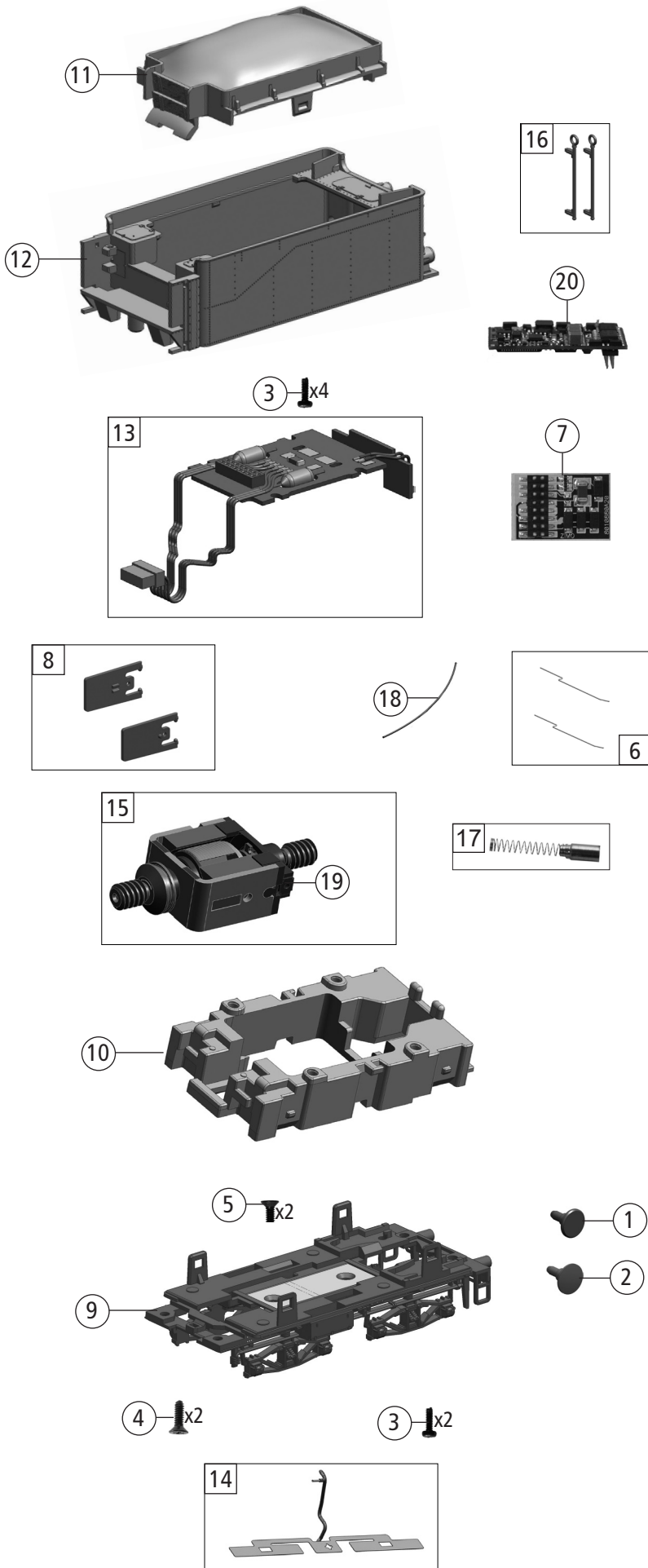


| Pos. Nr. Pos.no. | Beschreibung Description | Art.-Nr. Art.no. | Preisgruppe Price bracket |
|---------------------|--|---------------------|------------------------------|
| 1 | Kessel kpl. Betr.nr. 38 2780 Boiler ass. compl. loco no. 38 2780 | 150943 | 30 |
| 2 | Führerhaus bedruckt Drivers cab printed | 150944 | 17 |
| 3 | GF - Schraube M2x6 mm GF - Screw | 114828 | 3 |
| 4 | Kesselboden Boiler bottom | 132143 | 8 |
| 5 | Rauchkammerdeckel Smoke chamber lid | 132848 | 8 |
| 6 | TS - Kolbenschutzrohr, Deckel Part piston protection tube, covers | 132149 | 11 |
| 7 | TS - Rohrleitungen Part set lines | 140921 | 8 |
| 8 | TS - Handrad, Ventil, Griffe Part set hand wheel, valve... | 132153 | 7 |
| 9 | TS - Lichtleiter, Linse Part set light transmission bar, lens | 132156 | 8 |
| 10 | TS - Rohrleitungen, Auftritt Part set lines, ... | 132158 | 7 |
| 11 | Lokgewicht, Montagescheibe Loco weight, washer | 132174 | 12 |
| 12 | Umlauf lackiert Running board coated | 150942 | 20 |
| 13 | Puffer rund flach - Metall Buffer round flatr - metal | 107658 | 5 |
| 14 | Puffer rund gewölbt - Metall Buffer round vaulted - metal | 107659 | 5 |
| 15 | TS - Wagner Windleitbleche Part set wind guide plate | 132144 | 10 |
| 16 | Lampe Lamp | 150901 | 5 |
| 17 | Nummernschild Number board | 150945 | 8 |

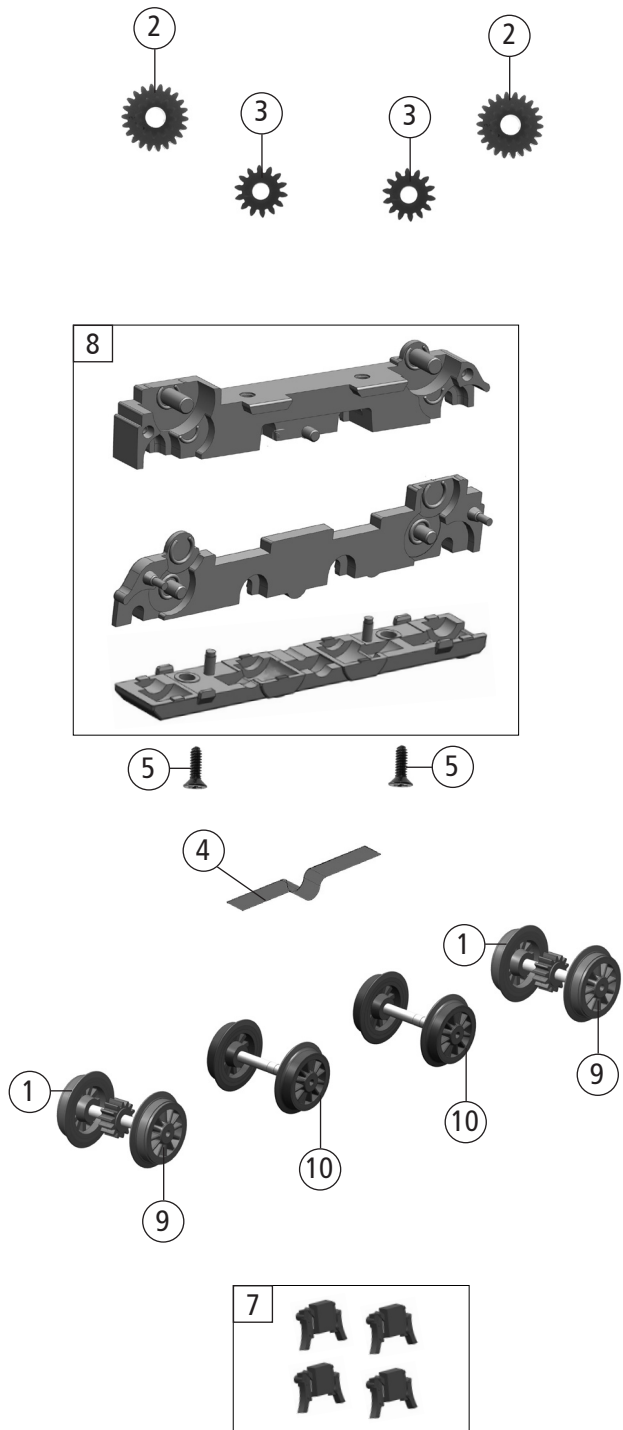
Änderungen in Konstruktion und Ausführung vorbehalten
We reserve the right to change the construction and specification



| Pos. Nr. Pos.no. | Beschreibung Description | Art.-Nr. Art.no. | Preisgruppe Price bracket |
|---------------------|--|---------------------|------------------------------|
| 1 | Zugfeder Spring | 86249 | 3 |
| 2 | Zugfeder Spring | 109832 | 3 |
| 3 | GF - Schraube M1,6x4 mm GF - Screw | 114850 | 3 |
| 4 | SK - Schraube M1,6x5 mm SK - Screw | 115317 | 4 |
| 5 | SK - Schraube M1,6x10 mm SK - Screw | 116089 | 3 |
| 6 | SK - Schraube M1,6x3 mm SK - Screw | 125023 | 3 |
| 7 | Federn 3Stk. Spring 3pieces | 126616 | 9 |
| 8 | Tenderkupplung Tender coupler | 132154 | 8 |
| 9 | TS - Deichseln, Platten Part set drawbar, plates | 132806 | 7 |
| 10 | TS - Vorlaufgestellbod., Tender-Treppen Part set pilot frame bottom, tender steps | 132159 | 7 |
| 11 | Treibradsatz, o. Haftringen o. Zahnrad Wheelset, without traction tiers, gear | 132160 | 12 |
| 12 | Treibradsatz Wheelset | 132161 | 12 |
| 13 | Lokgrundrahmen Loco frame | 132162 | 19 |
| 14 | Vorlaufradsatz Pilot wheelset | 132163 | 10 |
| 15 | Lokboden Loco bottom | 132164 | 6 |
| 16 | Kuppelstangen li.+re. Coupling rod L+R | 140915 | 11 |
| 17 | Vorlaufgestell Pilot frame | 132180 | 11 |
| 18 | Steuerung kpl. Steering ass. | 150919 | 24 |
| 19 | Zylinderblock Cylinder block | 150920 | 10 |
| 20 | Vorlaufradsatzfeder Spring | 132183 | 6 |
| 21 | Kesselplatine Printed circuit ass. | 132801 | 24 |
| 22 | Beilagscheibe washer | 132185 | 3 |
| Sound | | | |
| 23 | Lautsprecher Loud speaker | 129524 | 13 |
| 24 | TS - Lautsprechergehäuse u. Halterung Part set loudspeaker body, holder | 132145 | 7 |



| Pos. Nr. Pos.no. | Beschreibung Description | Art.-Nr. Art.no. | Preisgruppe Price bracket |
|---------------------|--|---------------------|------------------------------|
| 7180002 | DRG Br 38 | = | |
| 7190002 | | = | 🔊 |
| 1 | Puffer rund flach - Metall Buffer round flatr - metal | 107658 | 5 |
| 2 | Puffer rund gewölbt - Metall Buffer round vaulted - metal | 107659 | 5 |
| 3 | GF - Schraube M1,6x4 mm GF - Screw | 114850 | 3 |
| 4 | SK - Schraube M1,6x4 mm SK - Screw | 115161 | 3 |
| 5 | SK - Schraube M1,6x3 mm SK - Screw | 125023 | 3 |
| 6 | Tendertürfedern Tender door springs | 140503 | 4 |
| 7 | Brückenstecker 16 Plux Jumper | 129630 | 10 |
| 8 | TS - Tendertür Part set tenderdoor | 132154 | 8 |
| 9 | Tenderrahmen Tender frame | 132165 | 10 |
| 10 | Tendergrundrahmen lack. Tender main frame coated | 132173 | 14 |
| 11 | Tender Oberteil Tender part | 133919 | 12 |
| 12 | Tendergehäuse Tender body | 150941 | 19 |
| 13 | Tenderplatine Printed circuit ass.for tender | 132809 | 24 |
| 14 | Tenderradkontakt kpl. Wheel contact tender ass. | 132188 | 8 |
| 15 | Motorbaugruppe Motor | 133913 | 32 |
| 16 | Tendergriffstange Tender rod handle | 132153 | 3 |
| 17 | Kohlebürste + Feder Carbon brush + spring | 133936 | 6 |
| 18 | Deichselfederdraht Drawbar spring | 139806 | 4 |
| 19 | Kohlebürstenhalter Carbon brush holder | 00507801 | 1 |
| Sound | | | |
| 20 | Sounddecoder Sounddecoder | 149677 | 39 |



| Pos. Nr. Pos.no. | Beschreibung Description | Art.-Nr. Art.no. | Preisgruppe Price bracket |
|---------------------|---|---------------------|------------------------------|
| 7180002 | DRG Br 38 | | |
| 7190002 | | | |
| 1 | Hafring N-Spur D=6,95 B=1,2 Traction tyres | 00547002 | 1 |
| 2 | Schneckenzahnrad Z=22/12 M=0,3 Worm gear | 86482 | 4 |
| 3 | Zahnrad Z=14 gerade M=0.3 rot Gear red | 86496 | 3 |
| 4 | Radachsfeder Wheelaxle spring | 133914 | 5 |
| 5 | SK - Schraube M1,6x5 mm SK - Screw | 115317 | 4 |
| 6 | TTKupplung KUEHN TT-Coupler KUEHN | 150060 | 6 |
| 7 | Bremsbacken Tender Brake shoes | 132167 | 7 |
| 8 | TS - Getriebe Part set gear | 132177 | 16 |
| 9 | Radsatz m.2Hafringen Wheelset w. 2 traction tieres | 132190 | 12 |
| 10 | Radsatz o. Hafringen o. Zahnrad Wheelset without traction tieres, gear | 132192 | 10 |
| 11 | Zurüstbeutel Bag w. accessories | 150905 | 12 |

